

SMARTER WATER FOR A
SMARTER HOME



PUMPS

HLVSP VARIABLE SPEED PUMP

LASWIM creatively combines the most advanced technology (Permanent magnet brushless DC motor) with the professionally designed hydraulic structure of the swimming pool pump to create a more usable, quieter, more intelligent, more efficient and less expensive variable speed pool pumps.



Material:

- Pump housing: PP+35%GF
- Filter basket: PP
- Shaft: SS316
- Mechanical Seal: stationary face-SiC, rotating face-Graphite, seal bellows-NBR, Spring- 316L
- Impeller: PPO+30% GF
- Diffuser: PPO+30% GF



Simple and fast operation

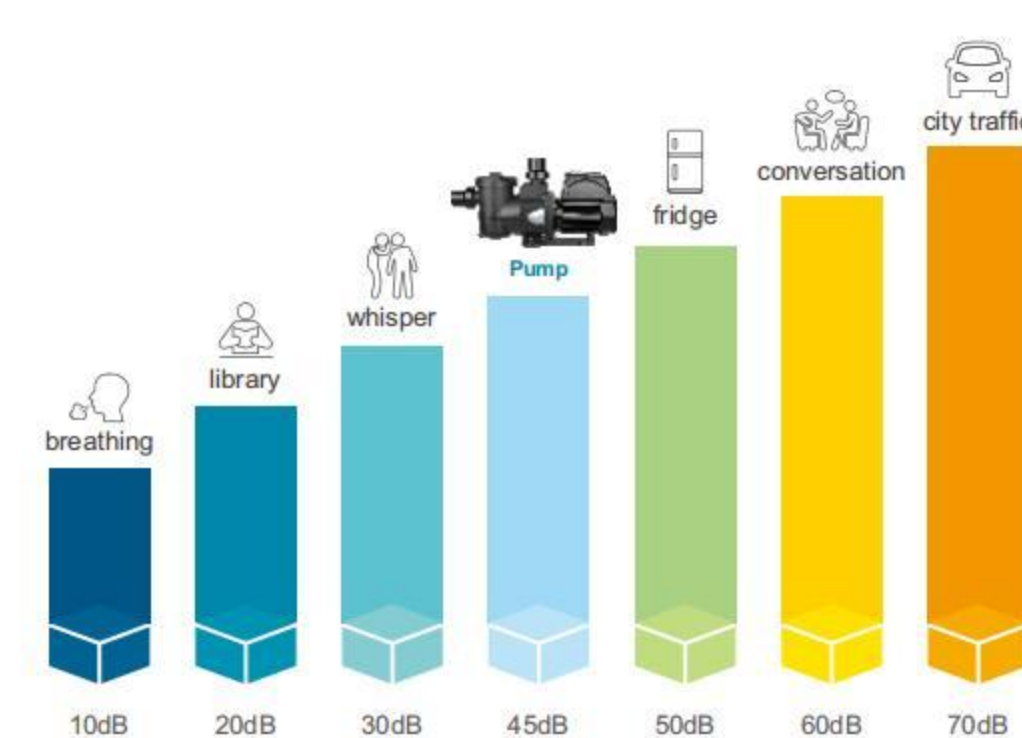
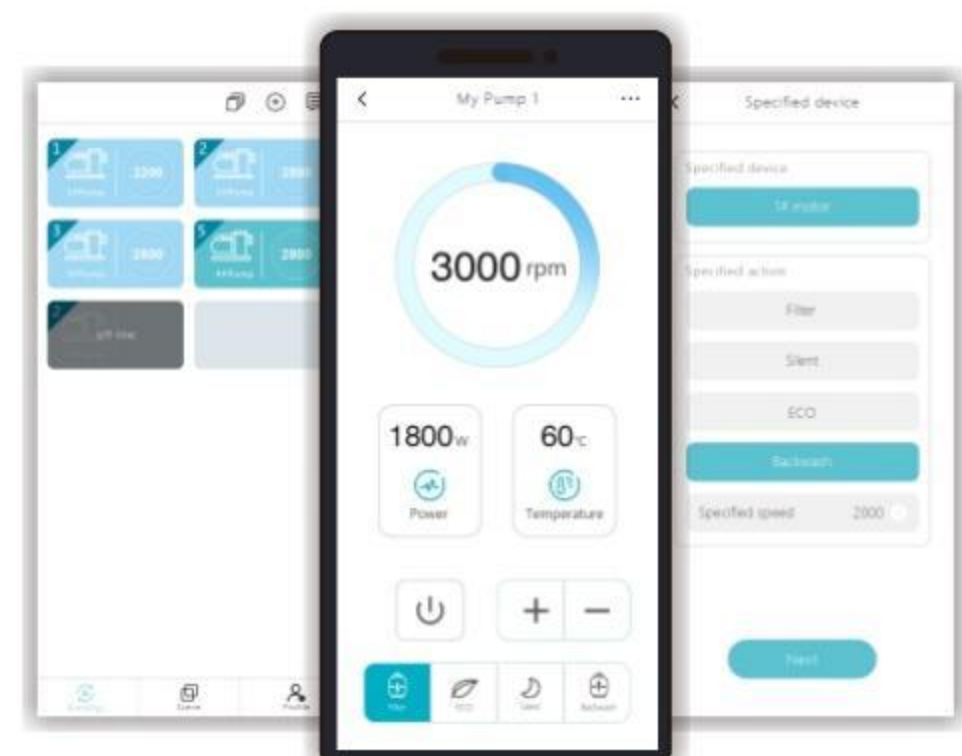
- Comes with 4 pre-set most commonly used application scenarios.
- One-button tap, directly to the desired function.
- Stepless variable speed technology, 1000-2900 rpm can be adjusted freely to meet various professional needs.

Quiet

- HLVSP pumps reduce operating noise, featuring an upgraded motor drive that delivers quieter high-speed operation.
- Sound level 45dB in 1 meter at the speed of 1400rpm.

Intelligent

- All operations can be completed via mobile APP
- Support centralized management of multiple devices, you can check the status of the water pump in real time, customize functions and the protection against accidental power failure.
- Support OTA upgrade, support firmware update.



Energy saving

- HLVSP pumps reduce the energy by up to 90%, saving up to 12,614kWh(2hp pump runs in 365days).

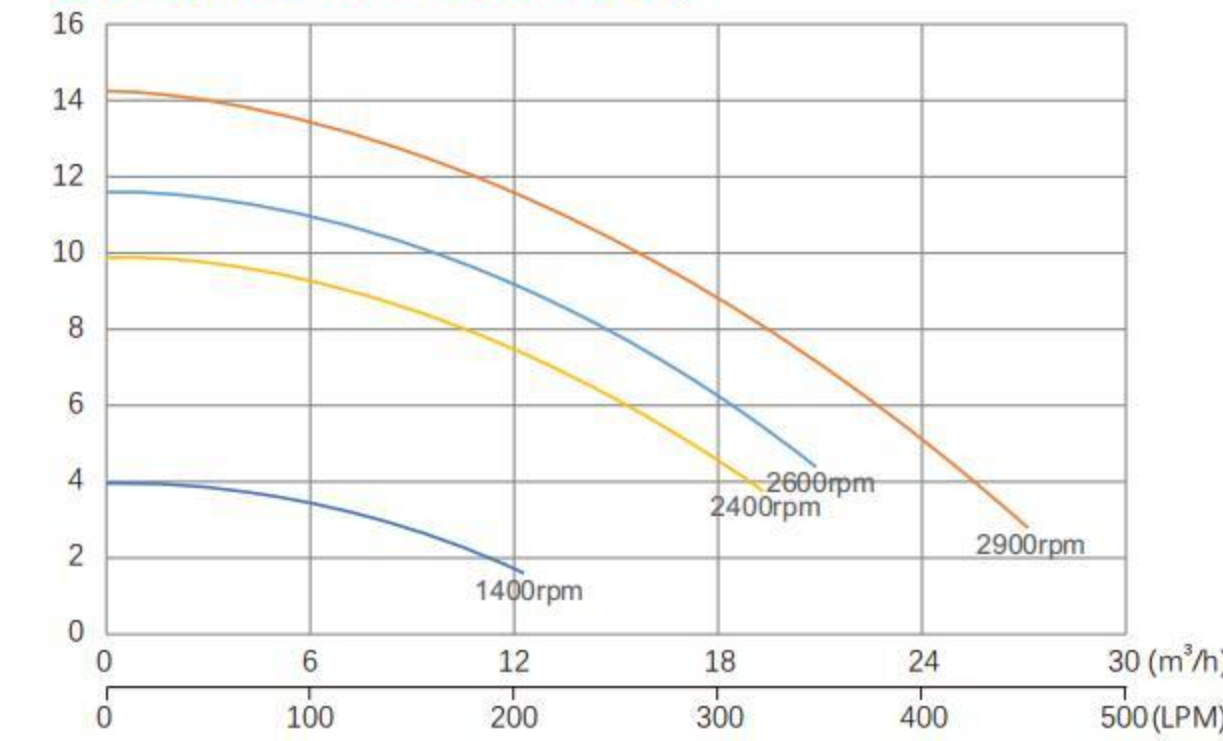


High energy efficiency

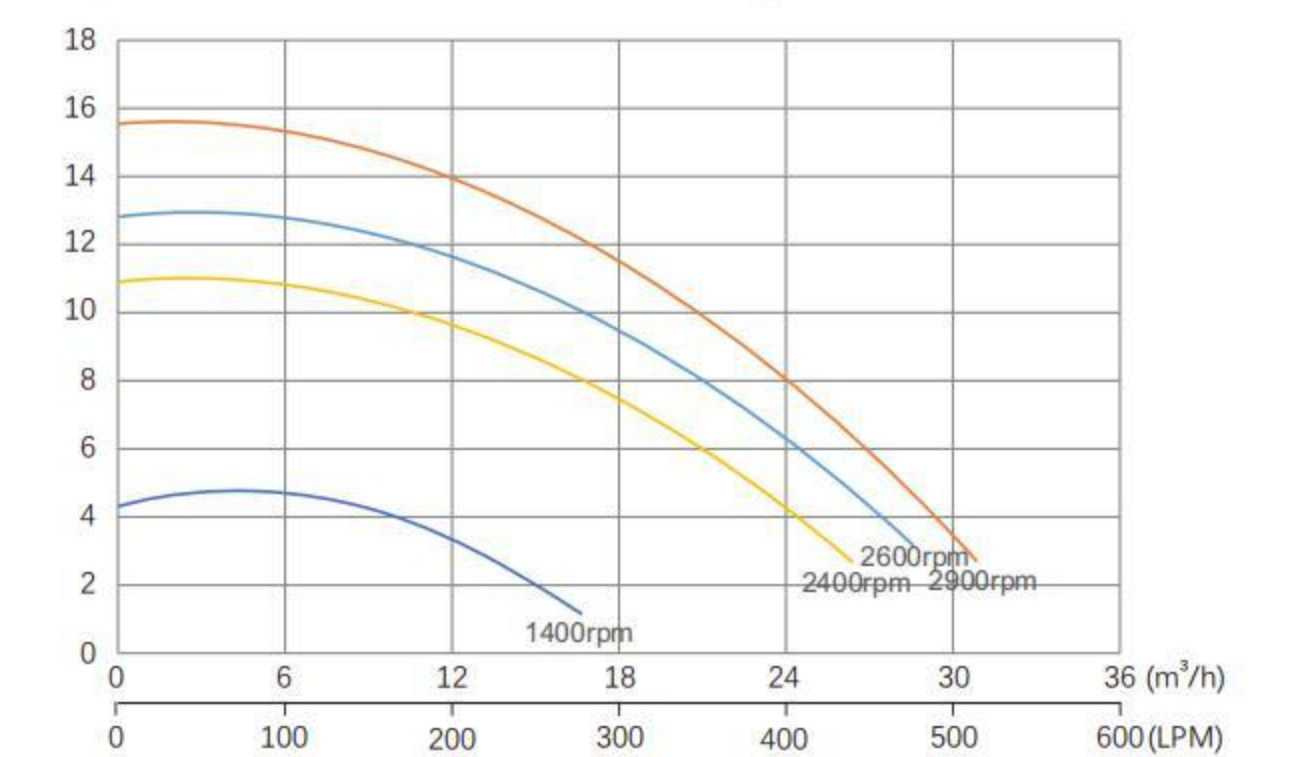
- High efficiency motor IE4.
- Ambient temperature: up to 45°C (113°F)
- Insulation Class: F
- IP55 waterproof standard.
- Liquid temperature:5~50°C (41~122°F)
- Maximum working pressure: 3.5bar



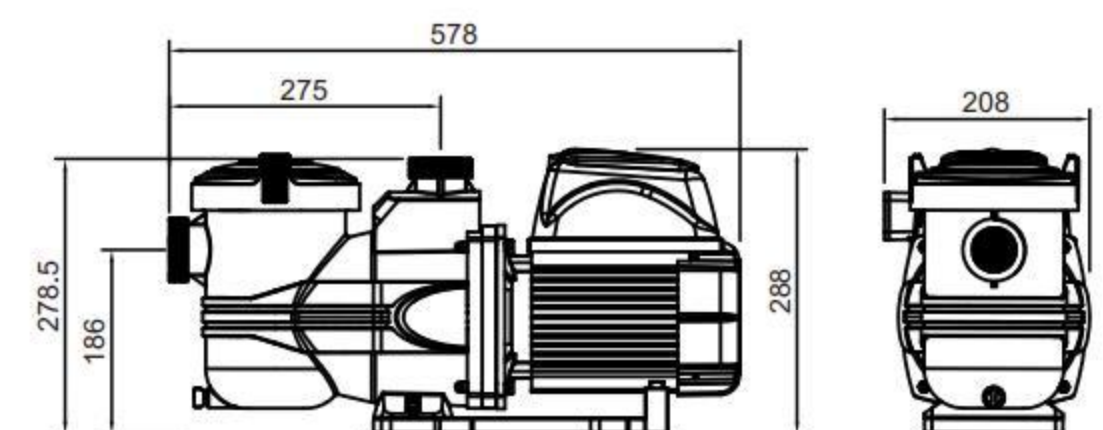
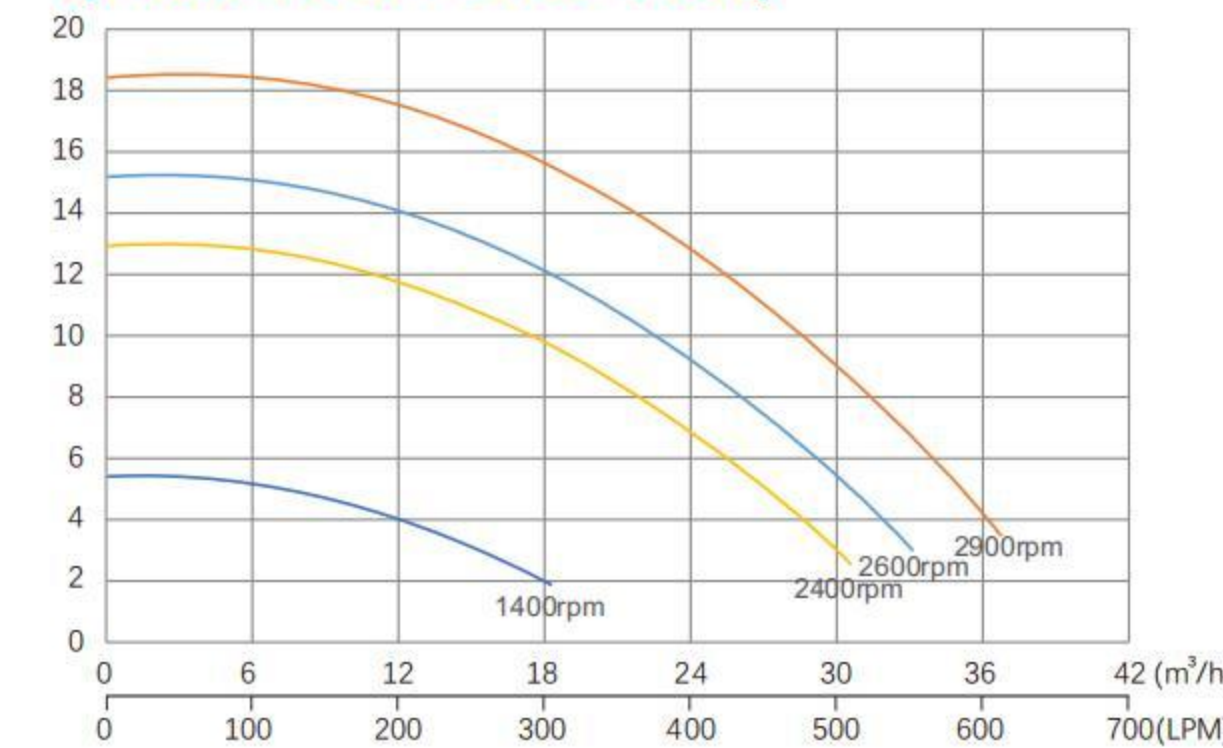
QH.Curve of HLVSP100Q



QH.Curve of HLVSP150Q



QH.Curve of HLVSP200Q



Model	Output power (P2)		Rated power supply	Max. current (A)	RPM	Max. Flow (m³/h)	Max.Head (m)	Circulation Flow		Connection Size	Packing size (mm)
	Horse power (HP)	Rated power (kW)						Flow at 8 m (m³/h)	Flow at 10 m (m³/h)		
HLVSP100Q	1	0.75	220V; 50Hz/60Hz	4.1	1000-2900	27	14.5	19	16	2"/63mm	620×280×380
HLVSP150Q	1.5	1.1		6.1		30	16	24	21		
HLVSP200Q	2	1.5		8		33	17	27	24		

BDP SERIES HIGH PERFORMANCE PUMP

BDP series high performance plastic centrifugal pump delivers high flow rates. It is designed for the commercial swimming pool,spa,waterfall and water features to achieve the maximum working efficiency with the lowest noise. Suitable for operation with salt chlorinators and sea water.



CE



Highlight Features:

- High efficiency motors IE3.
- IPX5 waterproof standard.
- Asynchronous, two poles.
- Insulation class: F.
- The advanced diffuser and high efficiency turbine maximize water flow and energy efficiency while minimizing turbulence and noise.
- Self-priming up to 3M above water level.
- Built-in thermal protection and overload protection.
- The oversized pre-filter basket(5L) extends the interval between cleanings.
- Liquid Temperature: 5~50°C(41~122°F)
- Ambient Temperature: up to 45°C(113°F)

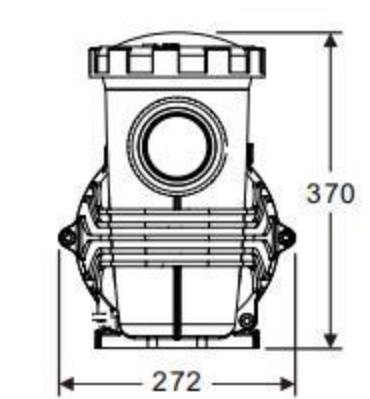
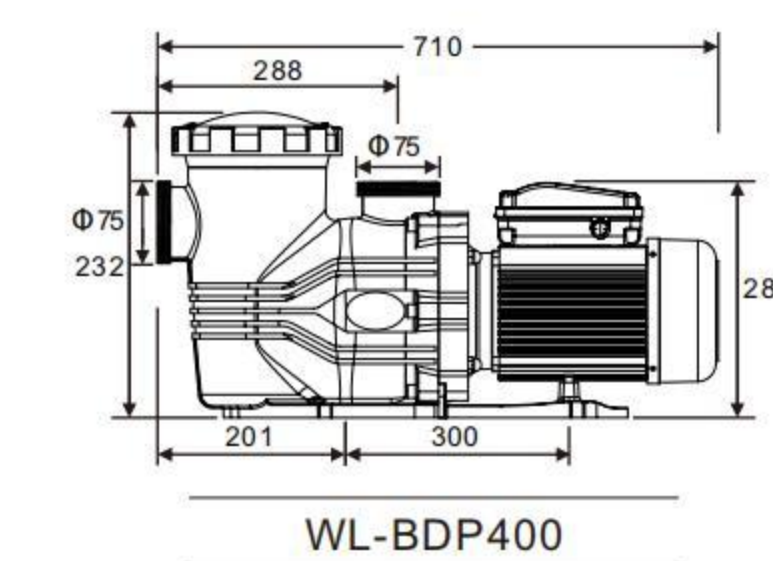
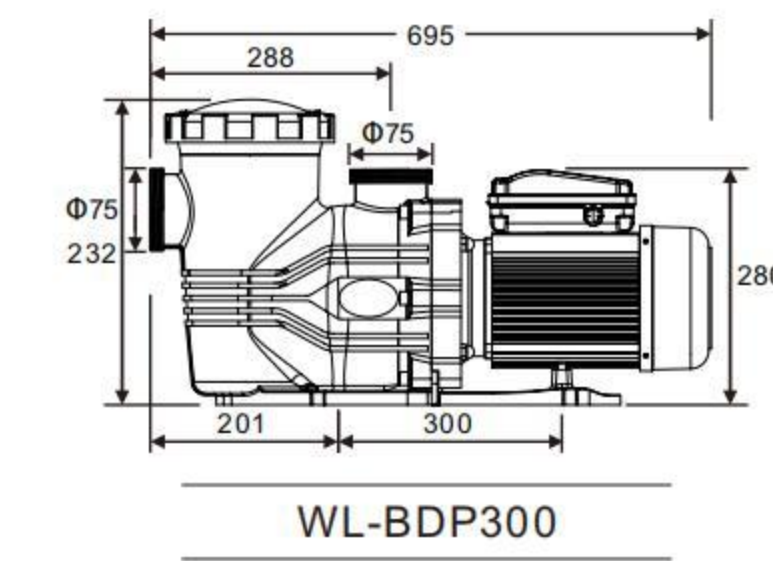
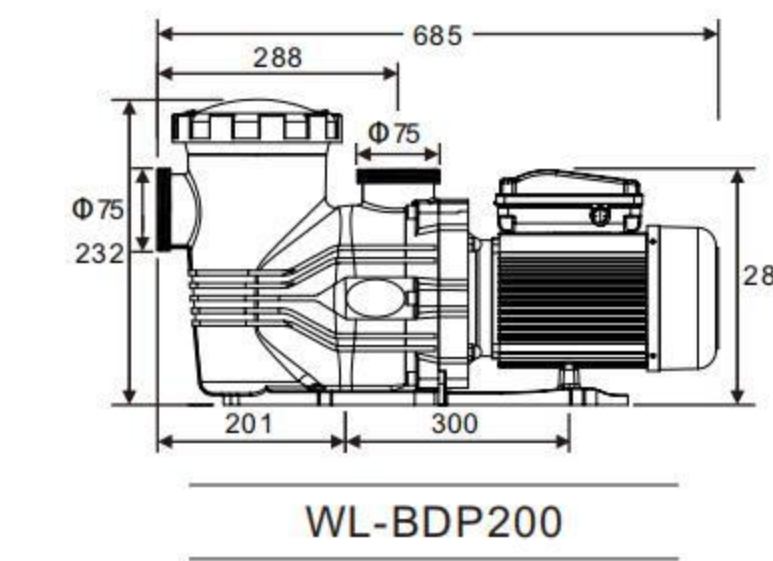
Material:

- Pump Housing: PP+35% GF
- Filter basket: PP
- Shaft: SS316L
- Mechanical Seal: stationary face-SiC, rotating face-Graphite, seal bellows-NBR, Spring-316L
- Impeller: PPO+30% GF
- Diffuser: PPO+30% GF
- Pump base: PP+30% GF

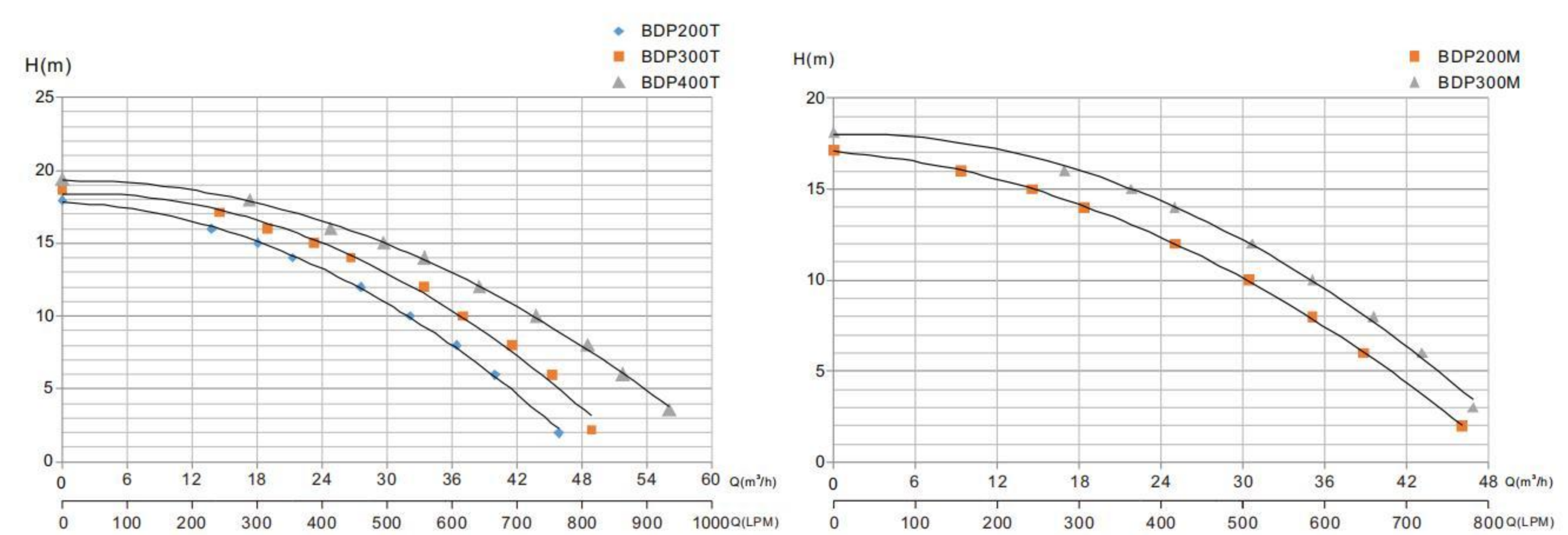


KEY FEATURES:

The advanced diffuser and high efficiency turbine maximize water flow and energy efficiency while minimizing turbulence and noise.



QH.Curve of The Pump



Model	Q-max (m³/h)	H-max (m)	Horsepower (HP)	Phase	Rated Power (kW)	Voltage (V)	Current (AMP)	Connection Size
WL-BDP200M	42	18	2	1	1.5	220	8.6	2" 63mm
WL-BDP300M	45	18.5	3	1	2.2	220	10.6	2.5" 75mm
WL-BDP200T	43	18.5	2	3	1.5	380	3.2	2" 63mm
WL-BDP300T	48	19	3	3	2.2	380	3.8	2.5" 75mm
WL-BDP400T	55	19.5	4	3	2.7	380	4.4	2.5" 75mm

HLLF SERIES PUMP

Material:

- Pump housing: PP+35%GF
- Filter basket: PP
- Shaft: SS304
- Bearing: NSK
- Mechanical seal: Carbon+Resin-Ceramics (Carbon, Ceramics, SS304,NBR)
- Impeller: Noryl+30% Fiberglass
- Diffuser and pump base: PP+35% Fiberglass

Features:

- The inlet and outle of this series comes with an external thread, which can be used to connect to metric or imperial pipes.
- The pump has excellent performance and reliable quality, which can bear 25000 times of impact test.
- Low noise: 0.75 HP can lower than 65 dB.
- Liquid Temperature: 5~ 50 °C (41 ~ 122 °F).
- Ambient Temperature: up to 45°C (113°F).
- Maximum working pressure: 2.5 bar.
- IPX5 waterproof standard
- Class I protection against electric shock.
- Thermal protection included.
- Motor: 3000r.p.m.
- Single phase:220V/50Hz
- 220V/60Hz, 380V/50Hz are available on request



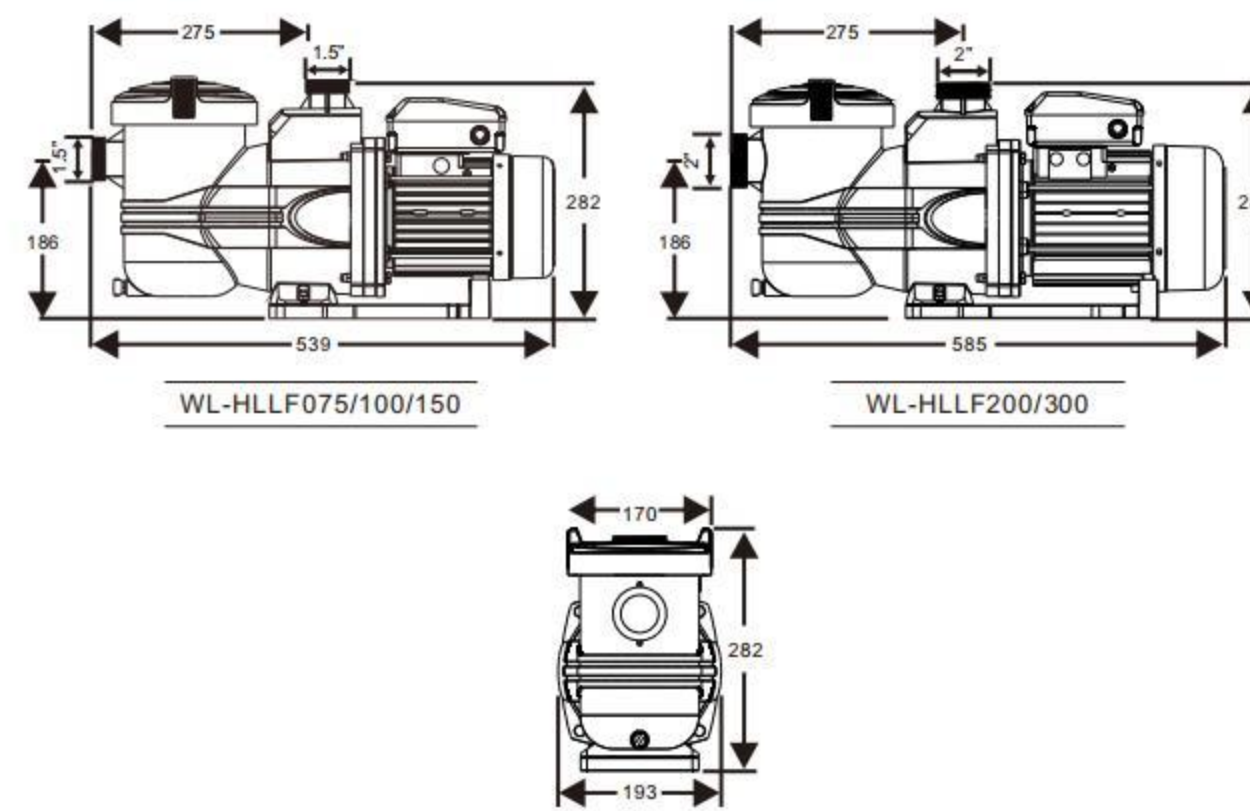
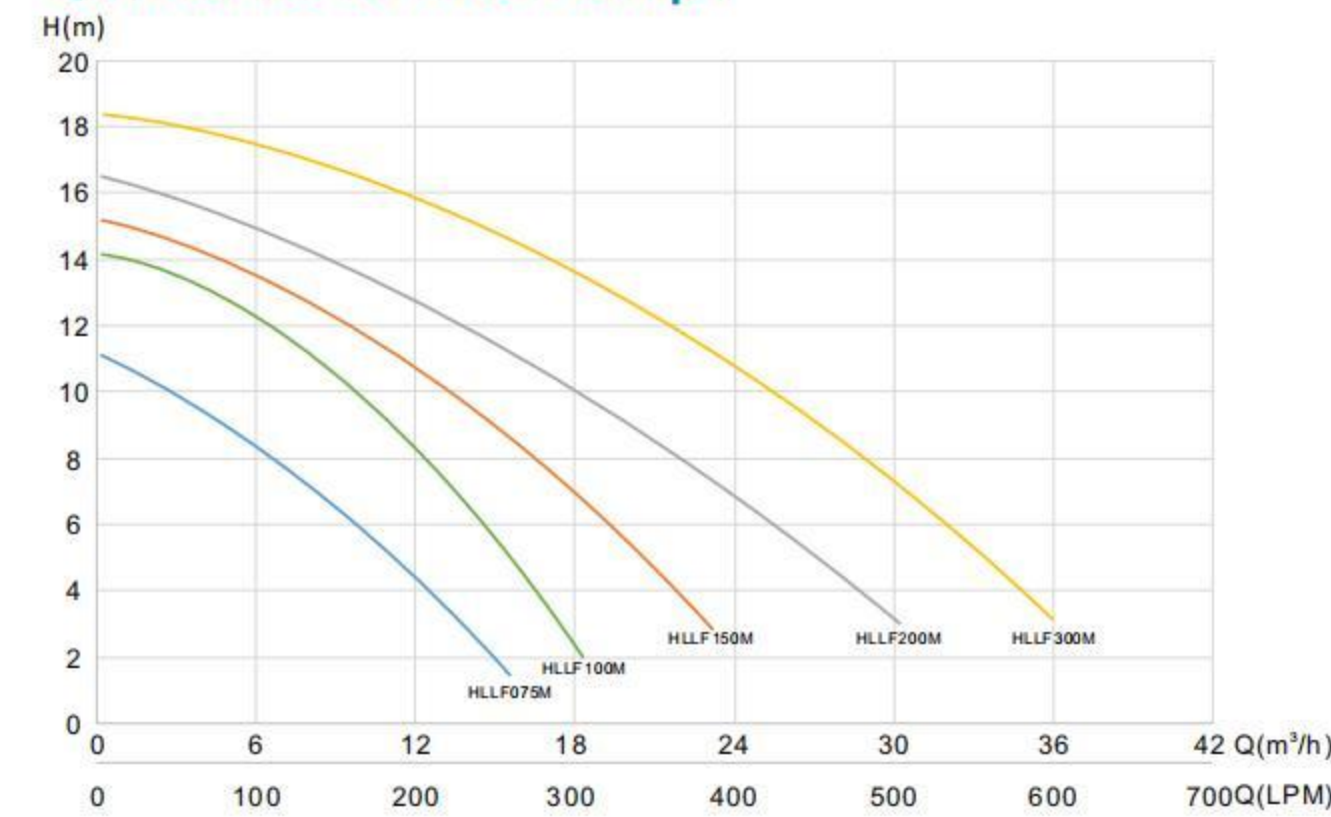
0.75HP-1.5HP



2.0HP-3.0HP



QH.Curve of The Pump:



Model	Q-max (m³/h)	H-max (m)	Horsepower (HP)	Rated Power (kW)	Phase	Voltage (V)	Connection size
WL-HLLF075M	14.8	11.1	0.75	0.55	1	220	1.5" 50mm
WL-HLLF100M	17.4	14.1	1	0.75	1	220	1.5" 50mm
WL-HLLF150M	22.1	15.1	1.5	1.1	1	220	1.5" 50mm
WL-HLLF200M	30.2	16.4	2	1.5	1	220	2" 63mm
WL-HLLF300M	36	18.2	3	2.2	1	220	2" 63mm
WL-HLLF100T	15.8	13.9	1	0.75	3	380	1.5" 50mm
WL-HLLF150T	22.7	15.2	1.5	1.1	3	380	1.5" 50mm
WL-HLLF200T	33.1	16.9	2	1.5	3	380	2" 63mm
WL-HLLF300T	39.8	18.2	3	2.2	3	380	2" 63mm

ECP SERIES PUMP

ECP series is a new silent and high-performance swimming pool centrifugal pump, suitable for small and medium-sized water application. With the independently innovative hydraulic structure design, ECP series pool pump improves the efficiency and performance, greatly reduces the vibration and operating noise as well.

Highlight features:

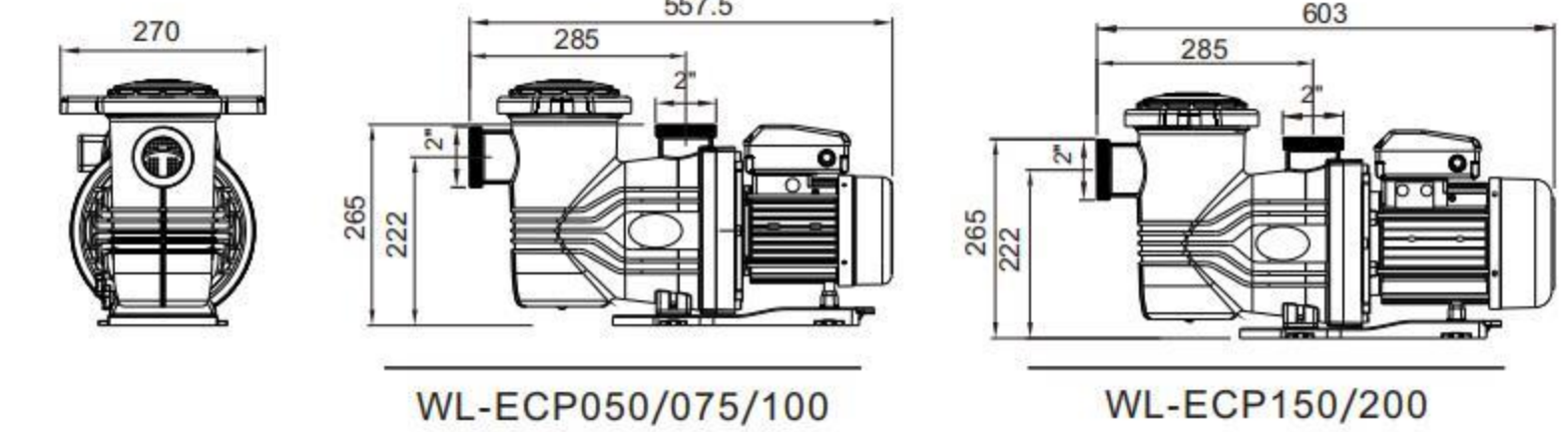
- Asynchronous motor.
- The innovative design on impeller and diffuser makes the higher pump performance and reduces the vibration and noise.
- Protection standard: IP55.
- Insulation class: F.
- Self-priming up to 3m.
- Noise: ≤ 62dB.
- Built-in thermal protection and overload protection (for single phase pump).
- Standard port size: 2", 1.5" is optional.
- Motor: 2900r.p.m
- Liquid temperature: 5-50°C(41~122°F).
- Ambient temperature: 5-50°C(41~122°F).
- Maximum working pressure: 0.35MPa



WL-ECP050/075/100



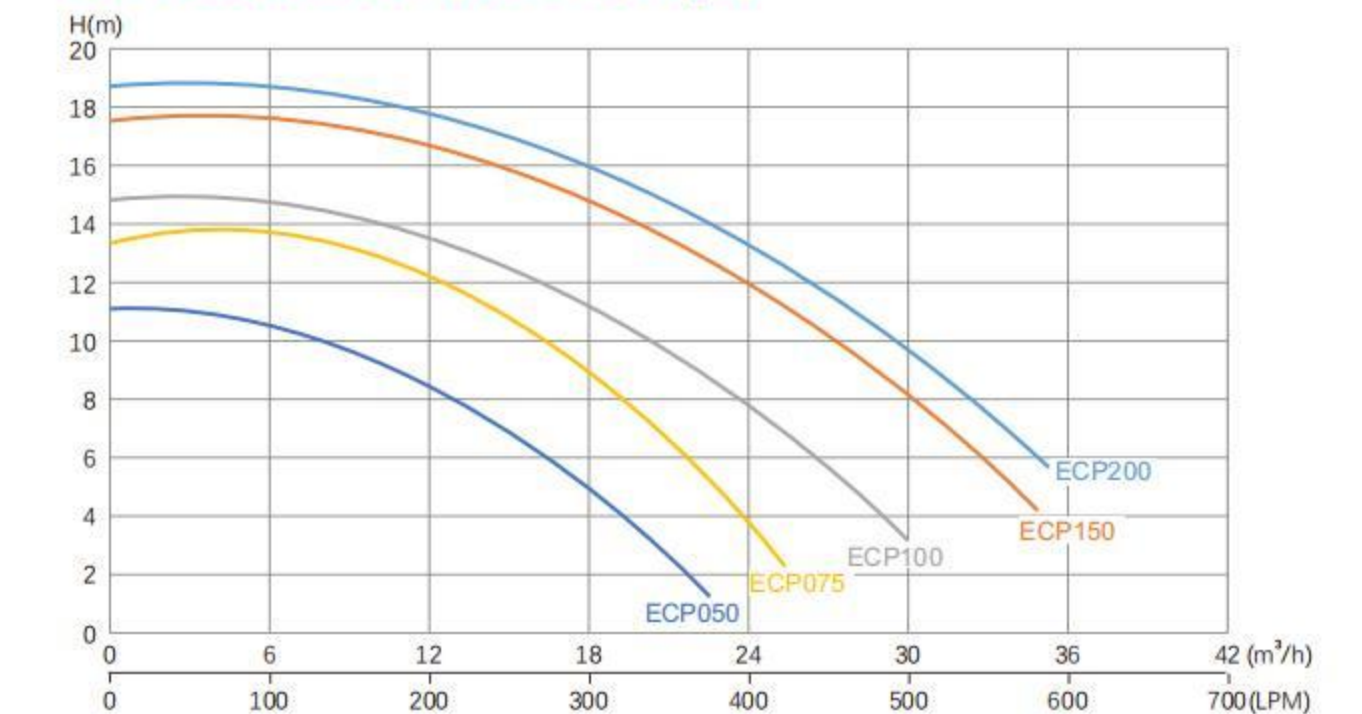
WL-ECP150/200



Material:

- Pump housing: PP+35%GF
- Seal plate: PPO+30%GF
- Diffusor: PPO+30%GF
- Impeller: PPO+30%GF+ Copper core
- Motor shaft: SS316
- Filter basket: PP
- Pump base: PP+35%GF
- Mechanical seal: stationary face-SiC, rotating face-Graphite, seal bellows-NBR, Spring-316L.

QH.Curve of The Pump:



Model	Q-max (m³/h)	H-max (m)	Circulation Flow		Output HP (HP)	Input rated power (kW)	Voltage (V)	Phase	Connection Size	Noise (dB)
			Flow at 8 m (m³/h)	Flow at 10 m (m³/h)						
WL-ECP050M	22	11.5	13	8	0.65	0.6	220	1	2" 63mm	52.1
WL-ECP075M	24	14	19.5	16.5	0.9	0.8	220	1	2" 63mm	54.4
WL-ECP100M	30	15	23.5	21.5	1.2	1.1	220	1	2" 63mm	56.9
WL-ECP150M	35	18	30	27	1.7	1.6	220	1	2" 63mm	59.6
WL-ECP200M	36	19	32.5	29.5	2	1.9	220	1	2" 63mm	61
WL-ECP075T	24	14	19.5	16.5	0.9	0.8	380	3	2" 63mm	54.4
WL-ECP100T	30	15	23.5	21.5	1.2	1.1	380	3	2" 63mm	56.9
WL-ECP150T	35	18	30	27	1.7	1.6	380	3	2" 63mm	59.6
WL-ECP200T	36	19	32.5	29.5	2	1.9	380	3	2" 63mm	61

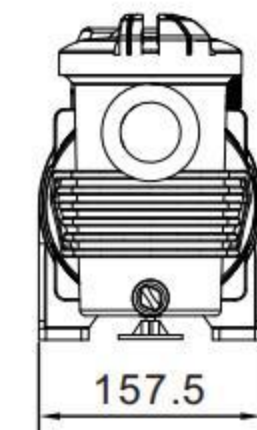
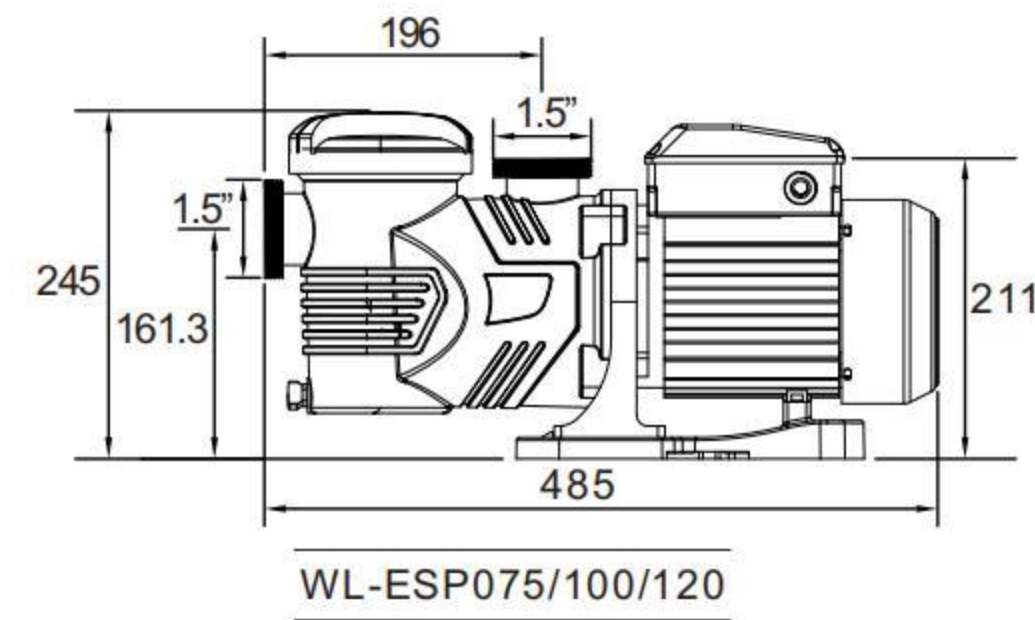
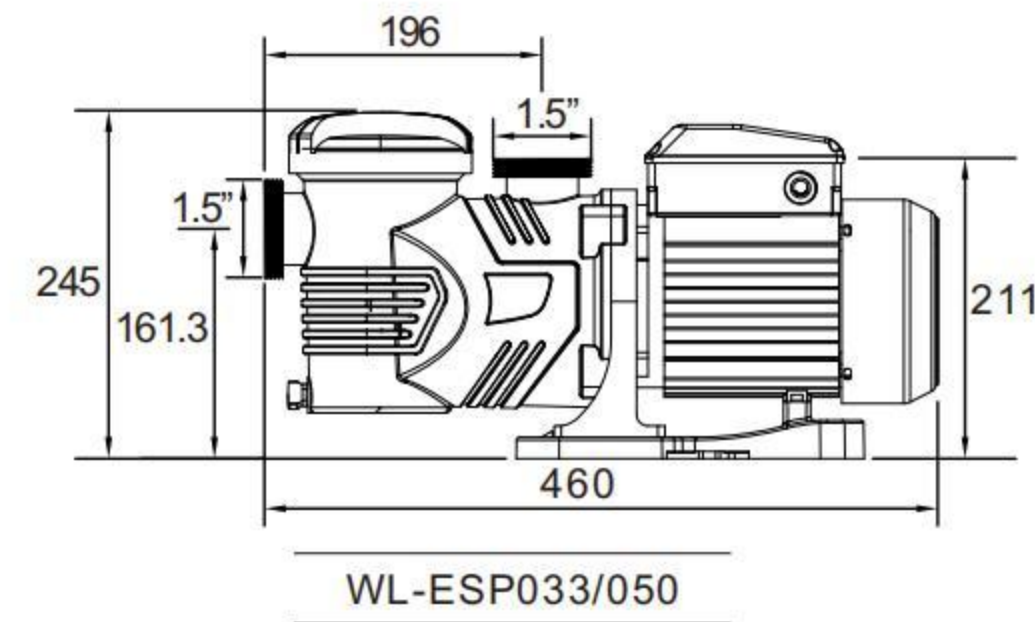
ESP SERIES PUMP

LASWIM ESP series pump is a circulation pump for pools with high reliability and performance, which makes the pump more recognized in the market. Mechanical seal adopts ceramic carbon material, which is resistant to high temperature and dry grinding. With 25,000 strict life-span tests and powerful impact tests, this pump is highly recommended for its great performance and reliable quality.

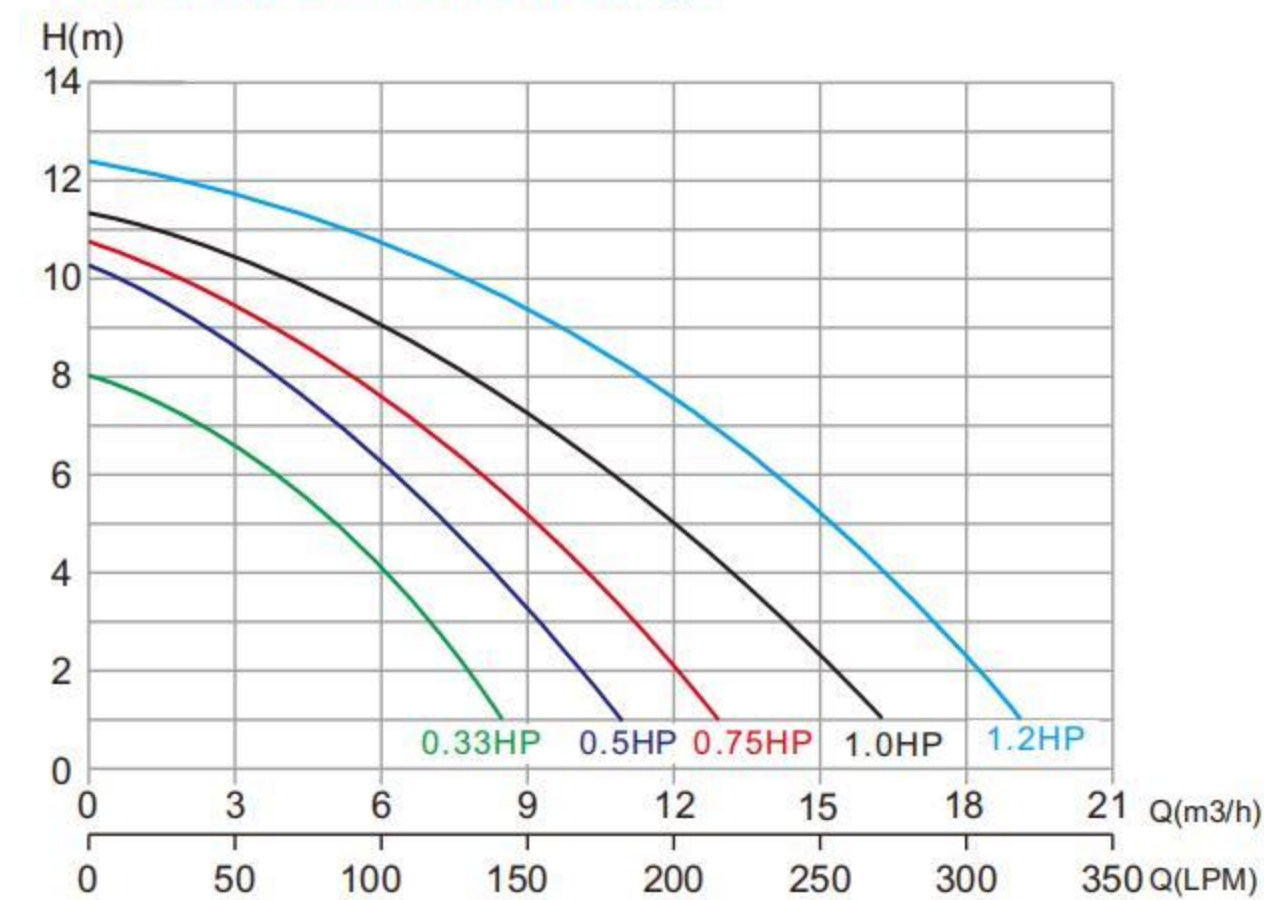


Features:

- The inlet or outlet of the pump with an external thread, which can connect with metric or imperial pipes.
- Low noise: It can lower than 67 dB.
- Thermal protection included
- Liquid Temperature: 5~ 50 °C (41 ~ 122 °F).
- Ambient Temperature: up to 40°C (104°F).
- IPX5 Waterproof standard.
- The pump can bear 25000 times of impact test, excellent performance and reliable quality.
- Single phase:220V/50Hz
220V/60Hz is available on request



QH.Curve of The Pump:



Model	Q-max (m³/h)	H-max (m)	Horsepower (HP)	Rated Power (kW)	Phase	Voltage (V)	Connection size
WL-ESP033M	9	8	0.33	0.26	1	220	1.5" 50mm
WL-ESP050M	11	10.5	0.5	0.37	1	220	1.5" 50mm
WL-ESP075M	13	11	0.75	0.55	1	220	1.5" 50mm
WL-ESP100M	16.5	11.5	1.0	0.75	1	220	1.5" 50mm
WL-ESP120M	19	12.5	1.2	0.9	1	220	1.5" 50mm

BHP/BHP-E SERIES PUMP

BHP/BHP-E heavy-duty pumps deliver high flow and high performance. It's designed for commercial swimming pools. Unique large diffuser and maximum performance impeller with high-performance motor maximize energy efficiency.



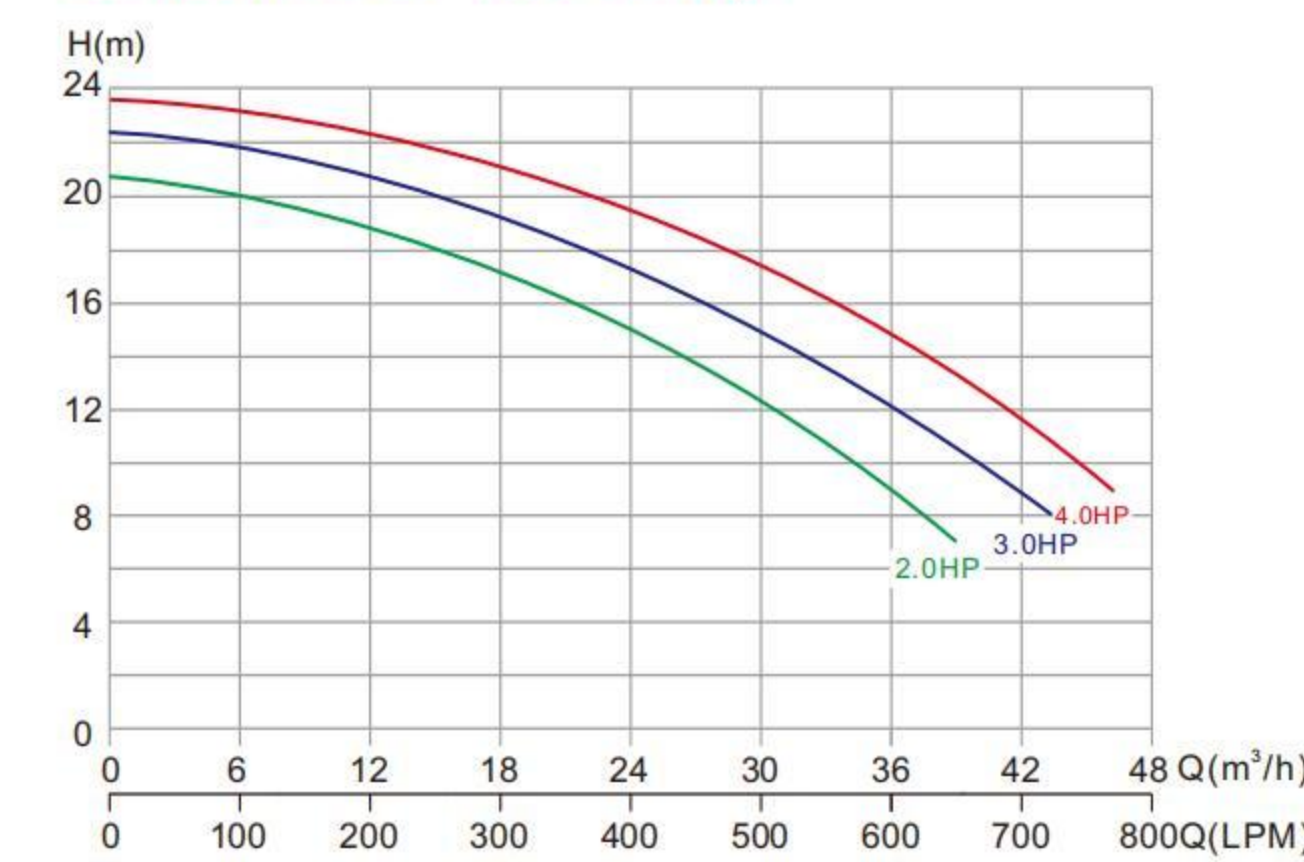
Features:

- The inlet or outlet port can connect with metric or imperial pipes.
- The pump has excellent performance and reliable quality, which can bear 25000 times of impact test.
- Liquid Temperature: 5~ 50 °C (41 ~ 122 °F).
- Ambient Temperature: up to 45°C (113°F).
- Maximum working pressure: 2.5 bar.
- IPX5 waterproof standard
- Class I protection against electric shock.
- Thermal protection included.
- The motor is painted fluoride-resistant acid corrosion protective coating, resists chemical and marine corrosion. (for BHP-E series pump)
- Motor: 3000r.p.m.
- 50Hz or 60Hz is available for different necessities.

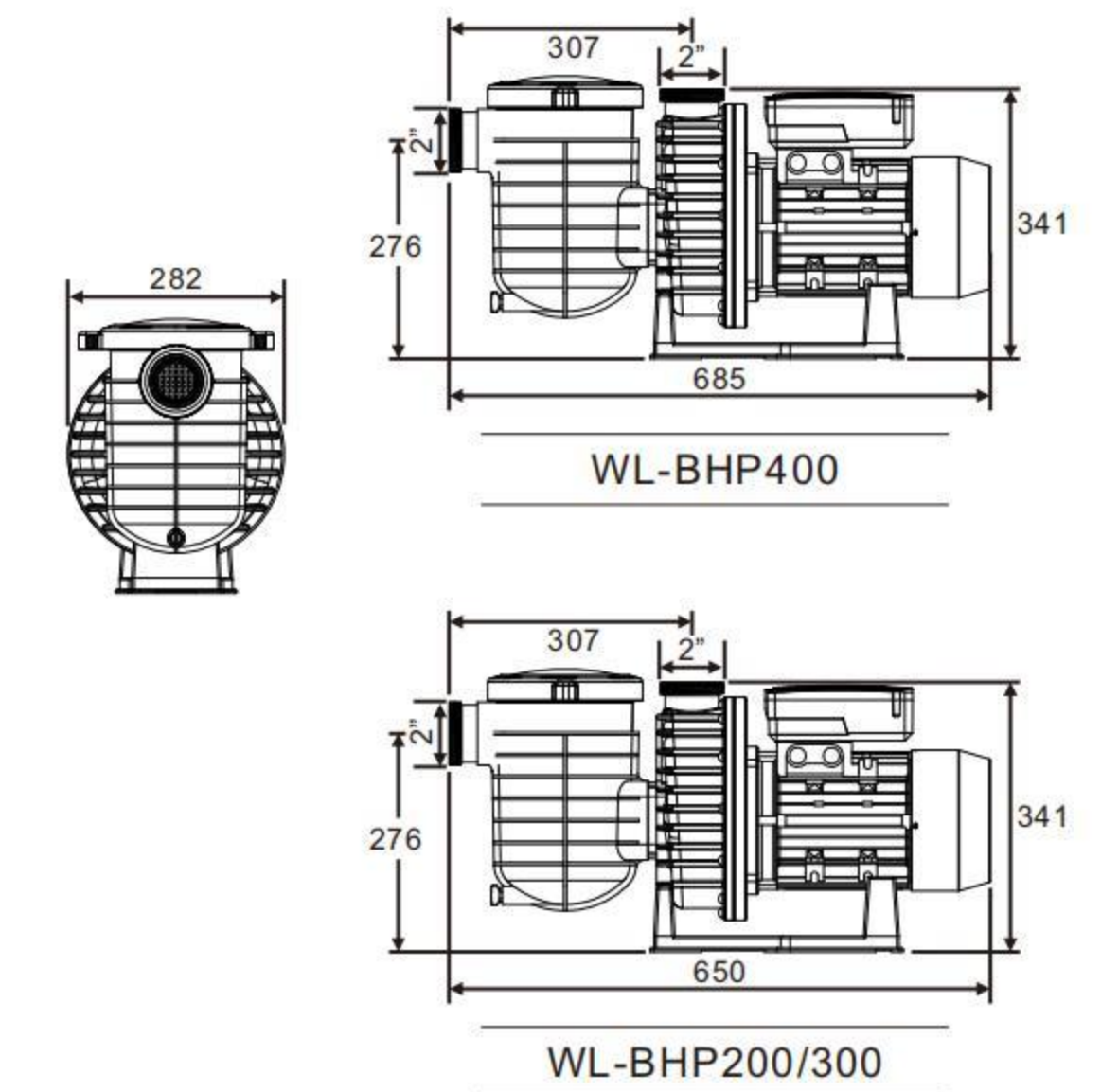
Material:

- Pump Housing: PP+35%GF
- Filter Basket: PP
- Shaft: SS304
SS316 (For seawater pump BHP-E series)
- Bearing: NSK
- Mechanical seal: Carbon+Resin-Ceramics (Carbon, Ceramics, SS304, EPDM)
SS316+EPDM (Sealsbellows)+SIC+Graphite (For seawater pump BHP-Eseries)
- Impeller: Noryl+30%GF
- Diffuser: Noryl+30%GF
- Pump Base: PP+35%GF

QH.Curve of The Pump



Model	Q-max (m³/h)	H-max (m)	Horsepower (HP)	Rated Power (kW)	Phase	Voltage (V)	Connection size
WL-BHP200M WL-BHP-E200M	38	20	2.0	1.5	1	220	2" 63mm
WL-BHP300M WL-BHP-E300M	42	21	3.0	2.2	1	220	2" 63mm
WL-BHP200T WL-BHP-E200T	38	20	2.0	1.5	3	380	2" 63mm
WL-BHP300T WL-BHP-E300T	42	21	3.0	2.2	3	380	2" 63mm
WL-BHP400T WL-BHP-E400T	45	22	4.0	3.0	3	380	2" 63mm



KP SERIES PUMP

WL-KP series are used for water circulation in all kinds of small domestic swimming pools. Slightly dirty water with solids in suspension can be perfectly filtered.

Features:

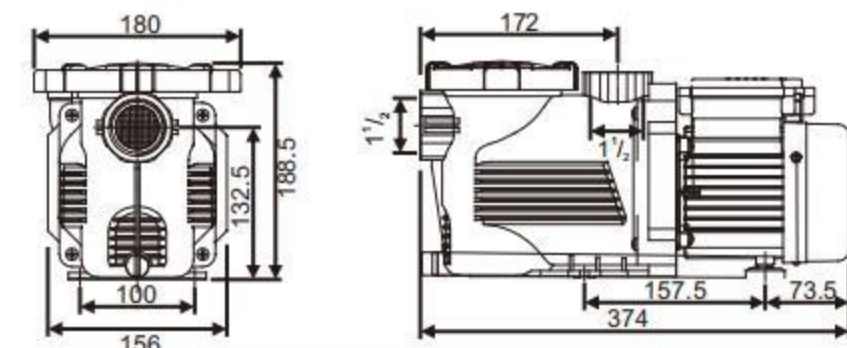
- Liquid Temperature: 5~ 50 °C (41 ~ 122 °F).
- Ambient Temperature: up to 40 °C (104 °F).
- Maximum working pressure: 3.0 bar.
- IPX5 waterproof standard.
- Insulation Class: F.
- Thermal protection included.
- Single phase: 220V/50Hz.
- 220V/60Hz, 110V/60Hz; 380V/50Hz(P≥450W) are available on request.
- **Max.Suction:3M(P≥600W)**



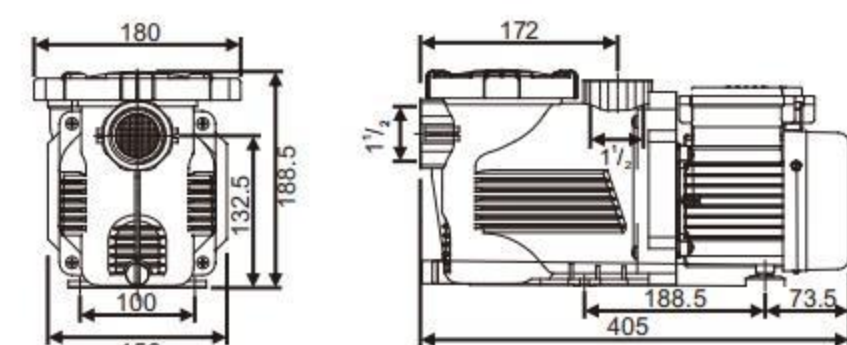
WL-KP256-WL-KP856



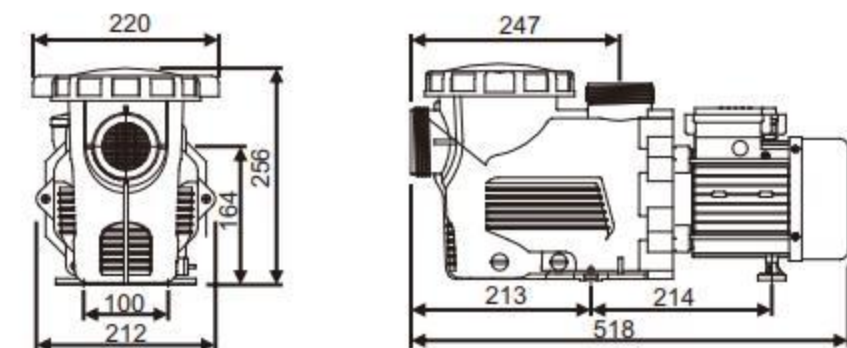
WL-KP1106-WL-KP2206



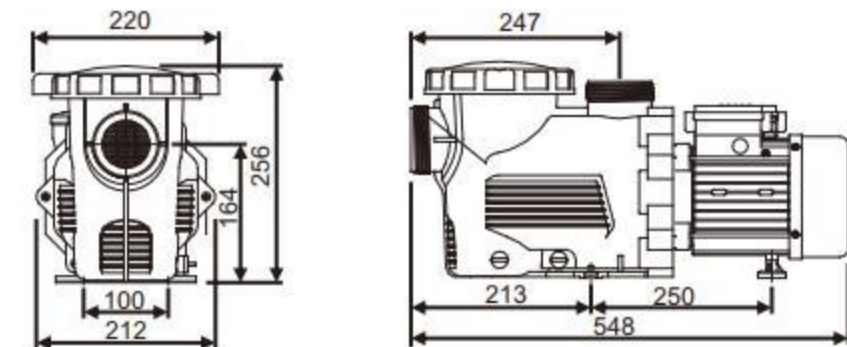
WL-KP256-WL-KP456



WL-KP556-WL-KP856

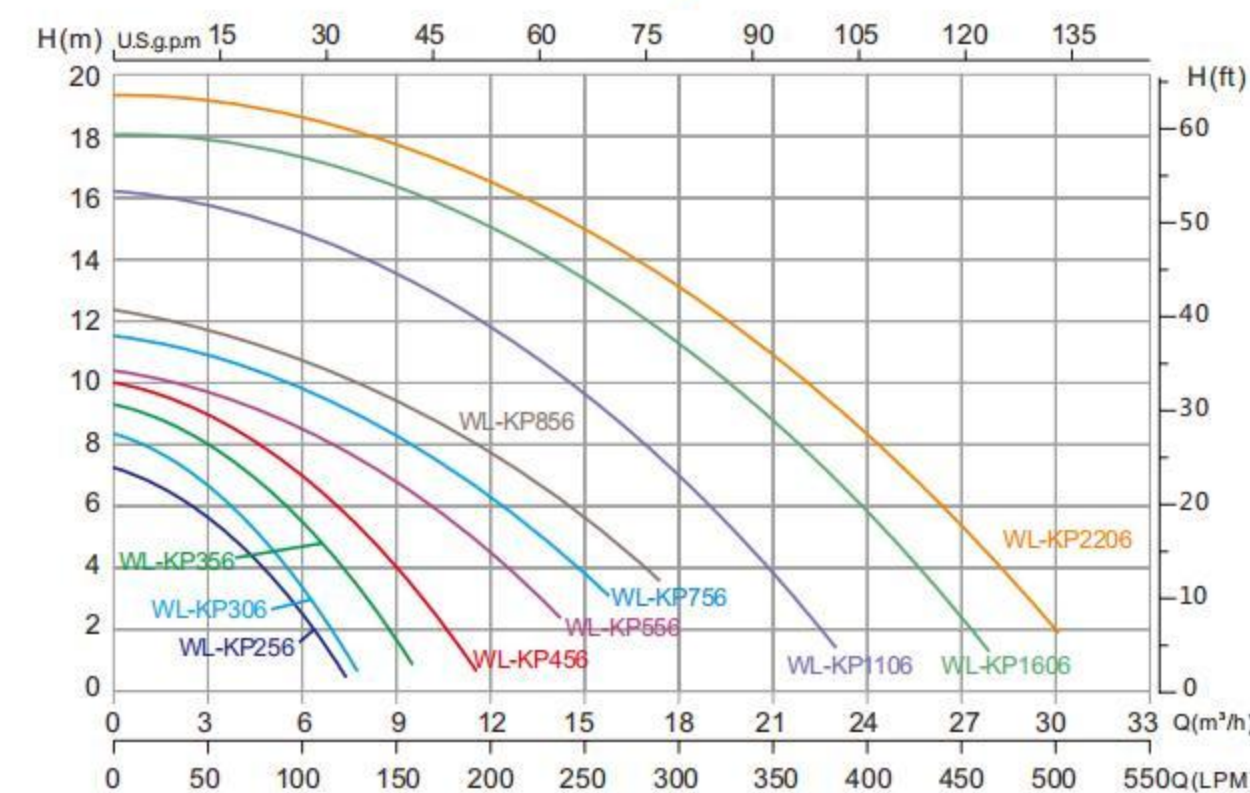


WL-KP1106



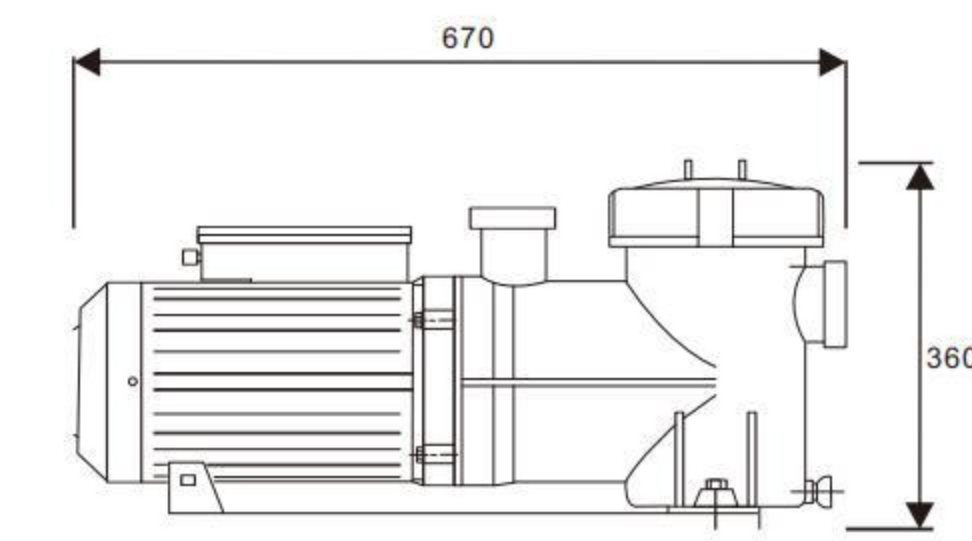
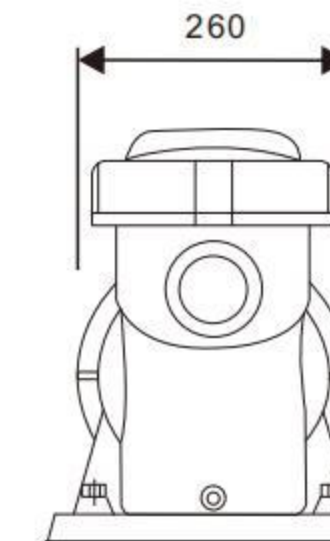
WL-KP1606-WL-KP2206

QH.Curve of The Pump

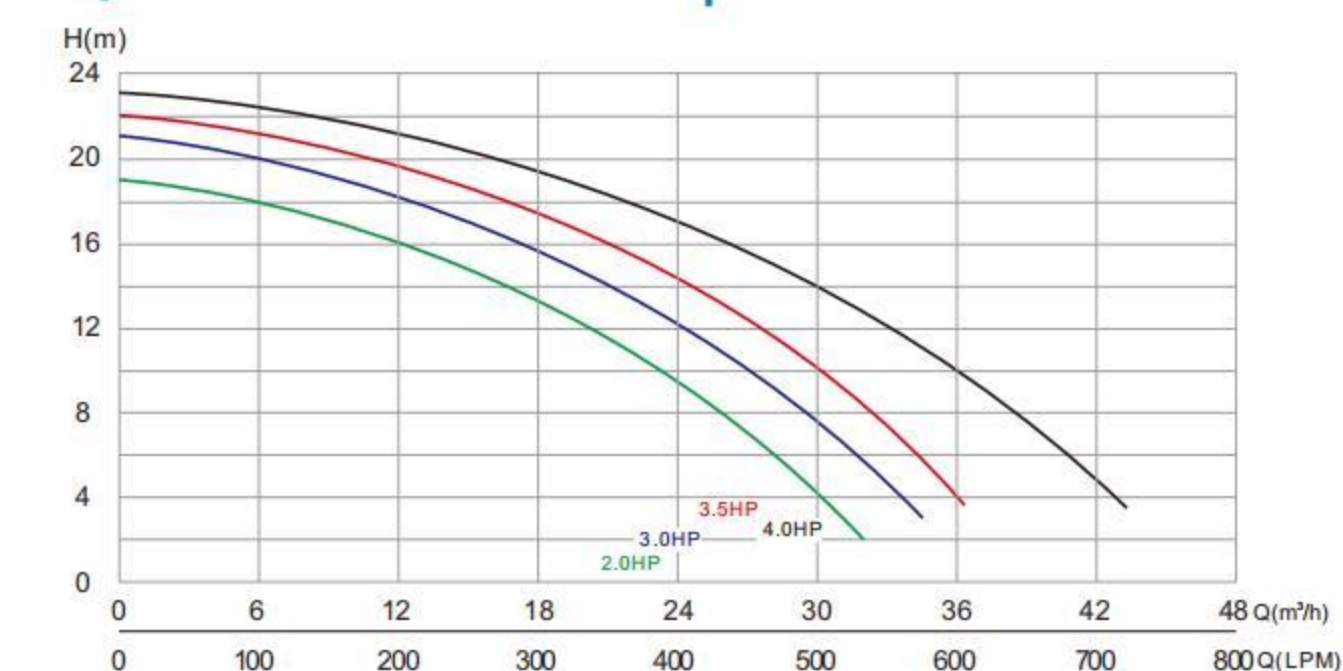


Features:

- Anti-rust crust can stop water penetrating the engine.
- Enough power, high head, large flow and high efficient circulation.
- Lower noise and run quietly. The pump cover bears high airtight preventing the leaking.
- The main part of the pump is made of special plastic which is durable in extreme low or high temperature.
- Single phase:220/50Hz
- Three-phase:380V/50Hz



QH.Curve of The Pump



Model	Q-max (m³/h)	H-max (m)	Horsepower (HP)	Rated Power (kW)	Phase	Voltage (V)	Connection size
WL-HEP020M	29	15.1	2.0	1.5	1	220	2" 63mm
WL-HEP030M	31	19	3.0	2.2	1	220	2" 63mm
WL-HEP020T	29	15.1	2.0	1.5	3	380	2" 63mm
WL-HEP030T	31	19	3.0	2.2	3	380	2" 63mm
WL-HEP035T	32	19.4	3.5	2.6	3	380	2" 63mm
WL-HEP040T	35	19.7	4.0	3.0	3	380	2" 63mm

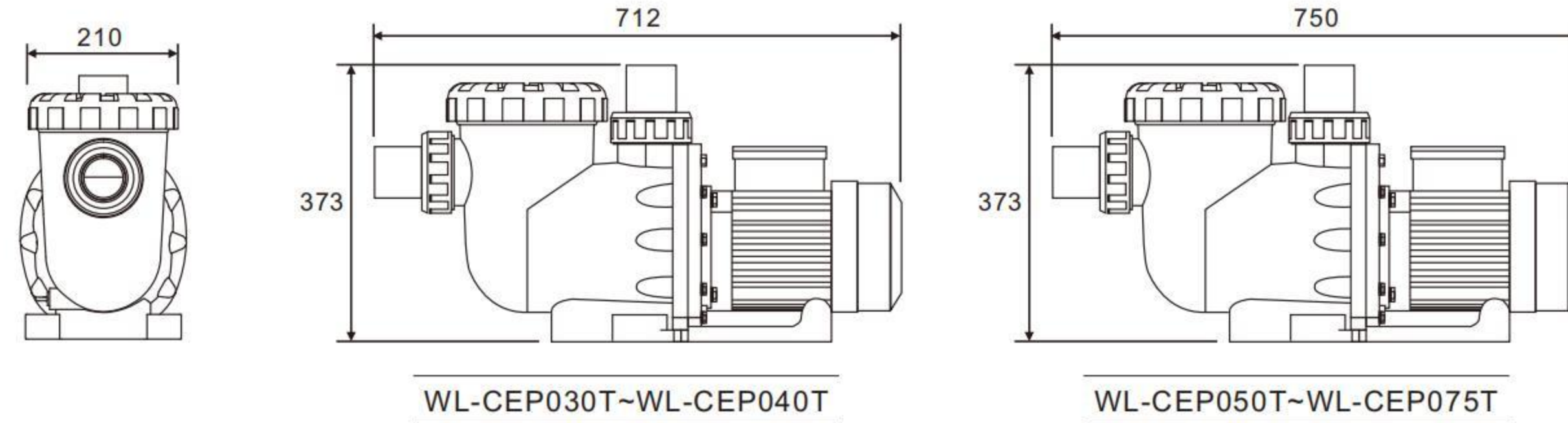
CEP SERIES PUMP

Features:

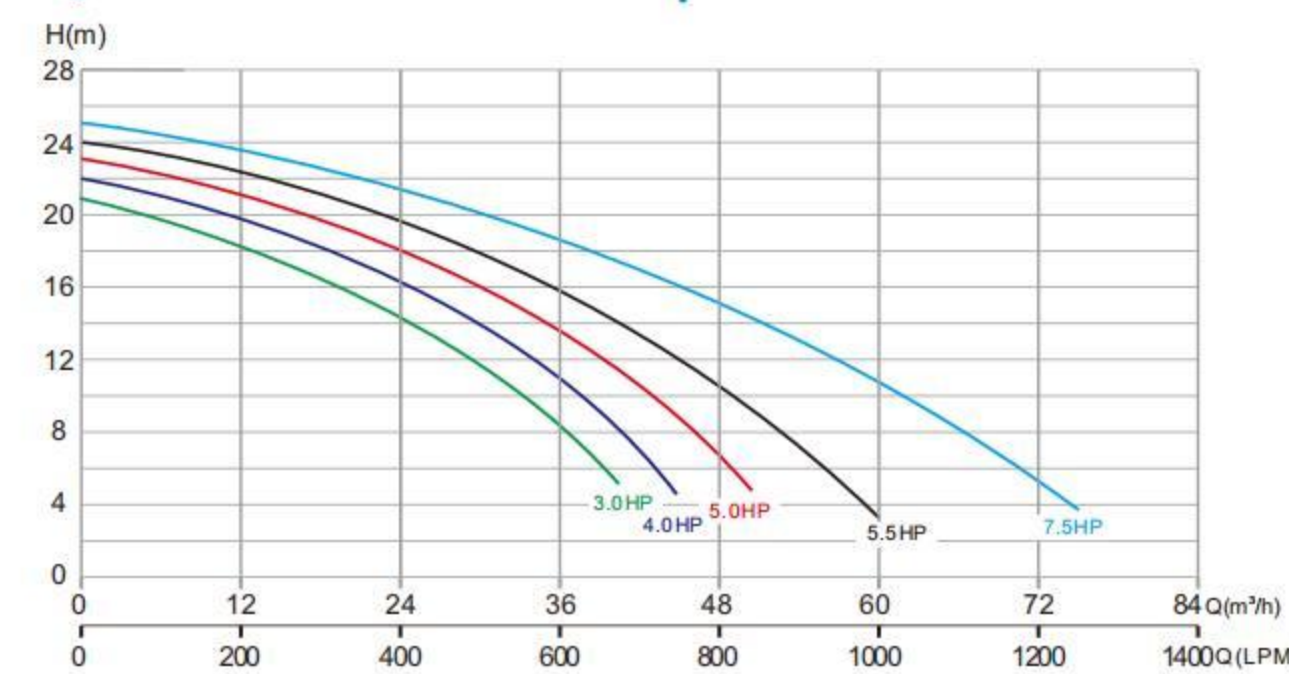
- Anti-rust crust can keep water from the engine.
- Enough power, high head, large flow and high efficient circulation.
- Lower noise and run quietly.
- The pump cover bears high airtight preventing the leaking.
- The main part of the pump is made of special plastic which is durable in extreme low or high temperature.
- Three-phase:380V/50Hz
380V/60Hz model is available on request.



CE



QH.Curve of The Pump



Model	Q-max (m³/h)	H-max (m)	Horsepower (HP)	Rated Power (kW)	Phase	Voltage (V)	Inlet Port	Outlet Port
WL-CEP030T	35.2	17.5	3.0	2.5	3	380	2" 63mm	2" 63mm
WL-CEP040T	39.6	18.3	4.0	3.0	3	380	2" or 75mm	2" 63mm
WL-CEP050T	56	20.4	5.0	3.8	3	380	2" or 75mm	2" 63mm
WL-CEP055T	62	21.9	5.5	4.0	3	380	75mm	75mm
WL-CEP075T	66	22.5	7.5	5.5	3	380	75mm	75mm

STP SERIES PUMP

Features:

- Motor and water are completely separated.
- Total electrical separation.
- Pump housing, pump cover & impeller are made of high reinforced plastic.
- Quick record could be used with the inlet & outlet.

Operation conditions:

- Liquid Temperature: 5 ~ 50 °C (41 ~ 122 °F).
- Ambient Temperature: up to 50°C (122°F).
- Maximum working pressure: 3.0 bar.

Applications:

Jet pump for jetted bath tubs, spa pools, swimming pools, massage stations and cleaning system.



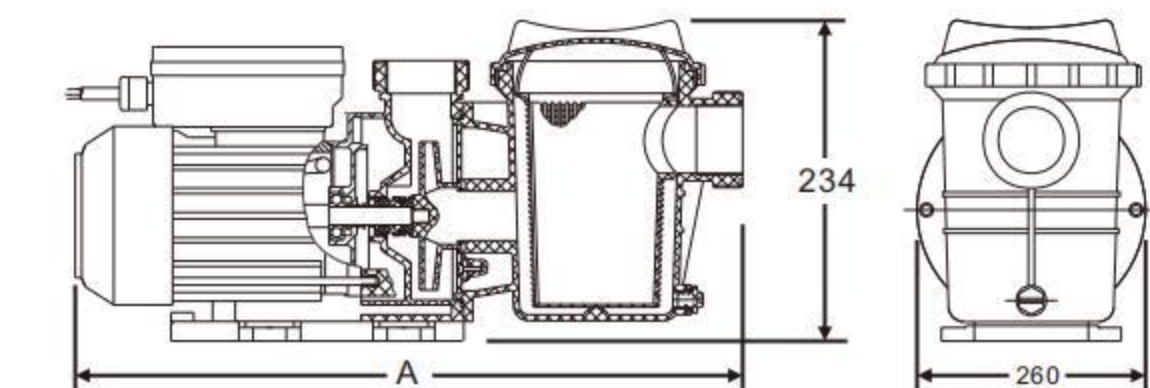
CE

0.35HP-1.2HP

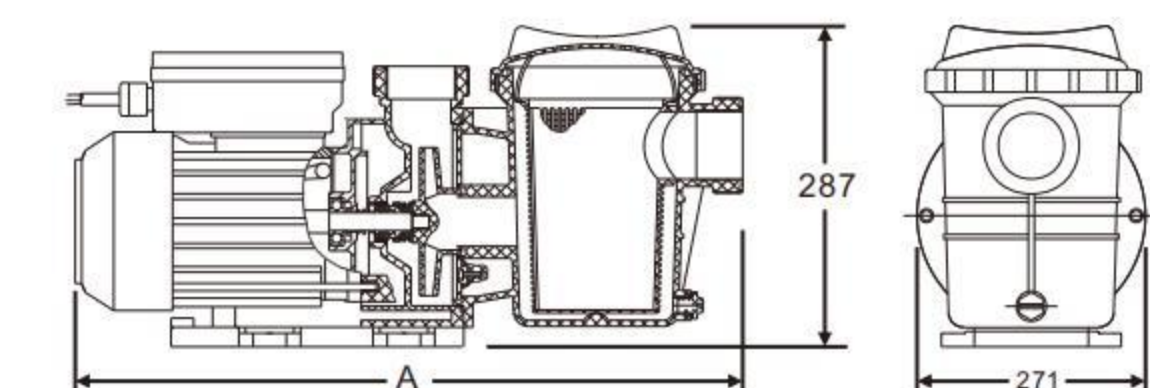


CE

1.5HP-3.0HP

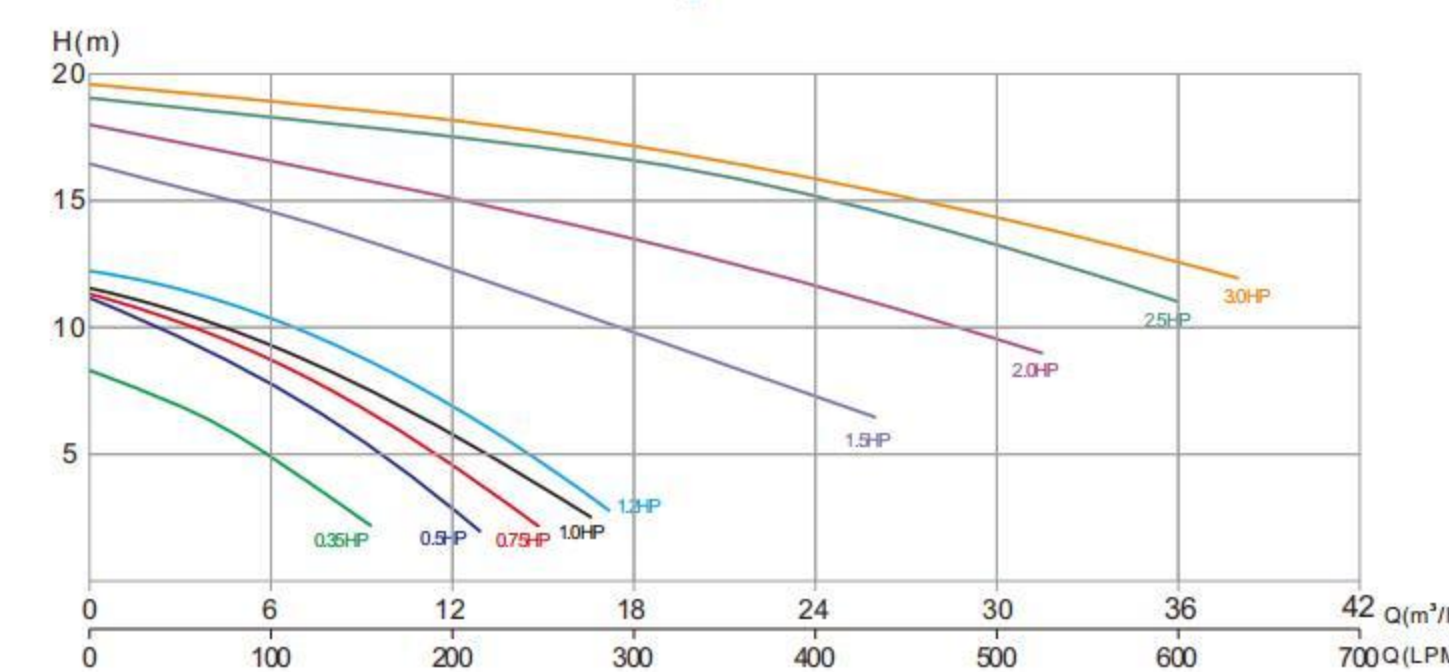


WL-STP35~WL-STP120



WL-STP150~WL-STP300

QH.Curve of The Pump



Model	Q-max (m³/h)	H-max (m)	Horsepower (HP)	Rated Power (kW)	Phase	Voltage (V)	Connection size	A Length (mm)
WL-STP35	9.6	8	0.35	0.26	1	220	1.5" or 50mm	443
WL-STP50	12.6	11	0.5	0.37	1	220	1.5" or 50mm	443
WL-STP75	14.4	10.5	0.75	0.56	1	220	1.5" or 50mm	465
WL-STP100	16.5	11	1.0	0.75	1	220	1.5" or 50mm	465
WL-STP120	18	13	1.2	0.9	1	220	1.5" or 50mm	465
WL-STP150	25.8	16.5	1.5	1.1	1	220	2" or 63mm	573
WL-STP200	31.2	18	2.0	1.5	1	220	2" or 63mm	573
WL-STP250	36	19	2.5	1.87	1	220	2" or 63mm	573
WL-STP300	38.1	19.5	3.0	2.25	1	220	2" or 63mm	598
WL-STP300	38.1	19.5	3.0	2.25	3	380	2" or 63mm	598

FCP SERIES PUMP

Features:

- Anti-rust crust can stop water penetrating the engine.
- Enough power, high head, large flow and high efficient circulation.
- Smaller noise and run quietly.
- The pump cover bears high airtight preventing the leaking.
- Convenient to handle, easy to maintain, with the supplying of spareparts.

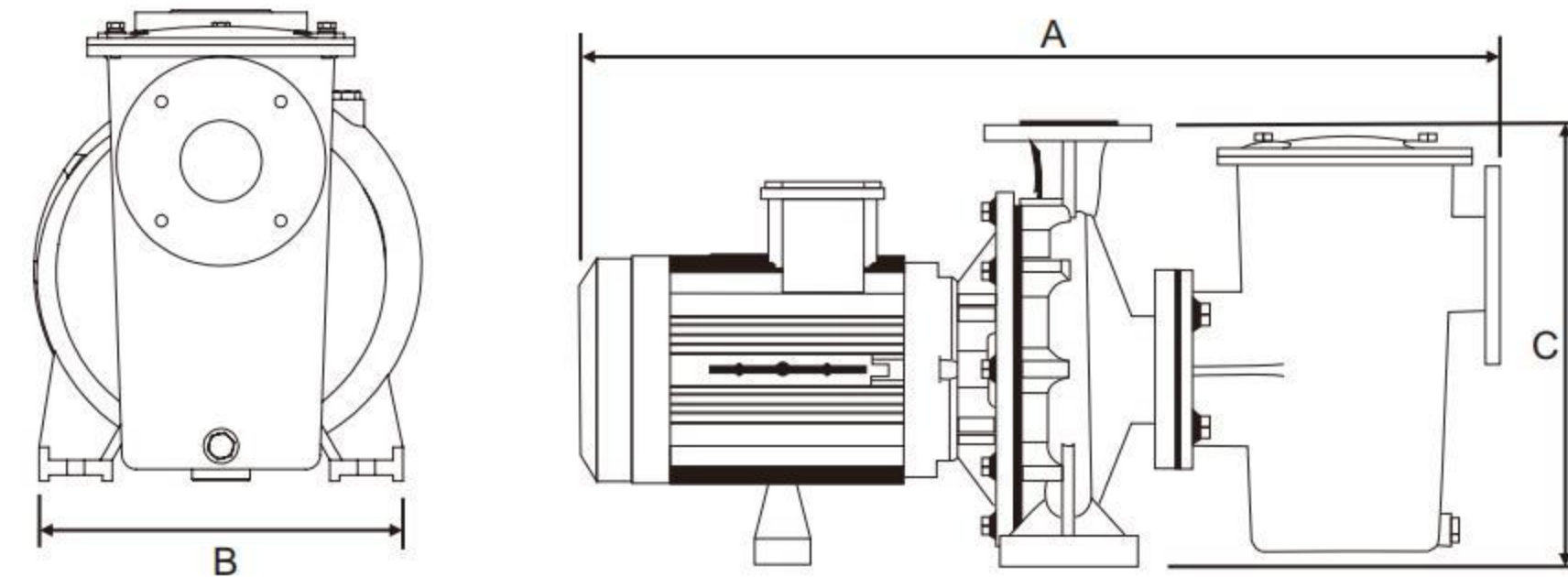


Materials:

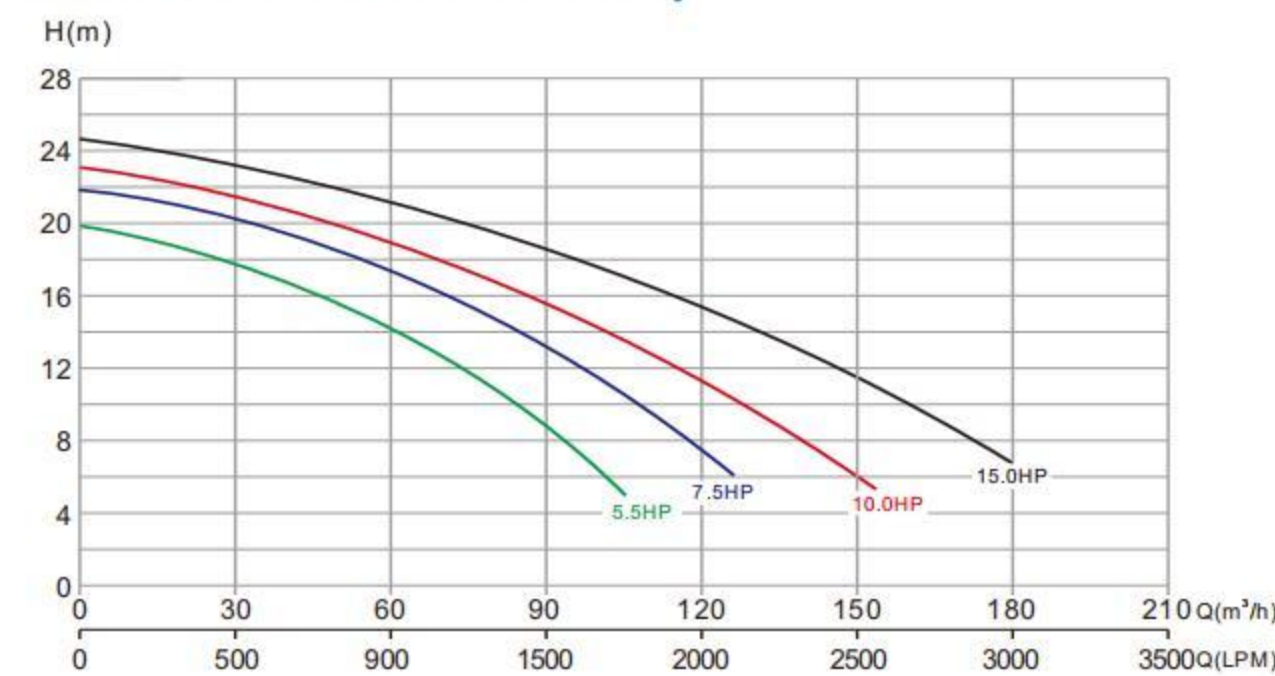
- Pump housing: Cast iron
- Pre-filter basket: Stainless steel AISI304
- Shaft: Stainless steel AISI304
- Impeller: Stainless steel AISI304

Motor:

- Motor speed: 1450rpm
- Waterproof: IP55
- Insulation class: F



QH.Curve of The Pump



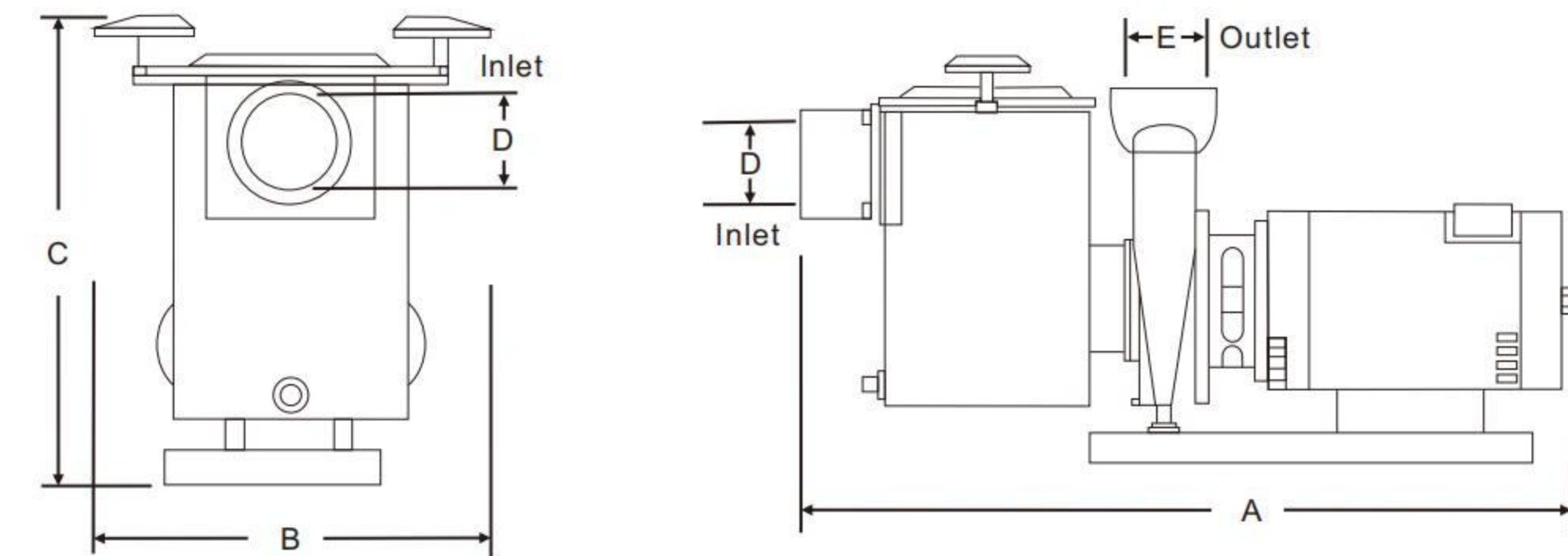
Model	Horsepower (HP)	Rated Power (kW)	Phase	Voltage (V)	Inlet Port Dia. (mm)	Inlet Flange Dia. (mm)	Outlet Flange Dia.(mm)	Outlet Port Dia. (mm)	A Length (mm)	B Length (mm)	C Length (mm)
WL-FCP055	5.5	4.0	3	380	Φ80	4-Φ12 Φ90	4-Φ18 Φ75	Φ65	820	350	410
WL-FCP075	7.5	5.5	3	380	Φ80	4-Φ18 Φ90	4-Φ18 Φ75	Φ65	850	370	420
WL-FCP100	10.0	7.5	3	380	Φ100	4-Φ18 Φ110	4-Φ18 Φ90	Φ80	950	370	420
WL-FCP150	15.0	11.0	3	380	Φ100	4-Φ18 Φ110	4-Φ18 Φ90	Φ80	950	370	420

ATB SERIES PUMP

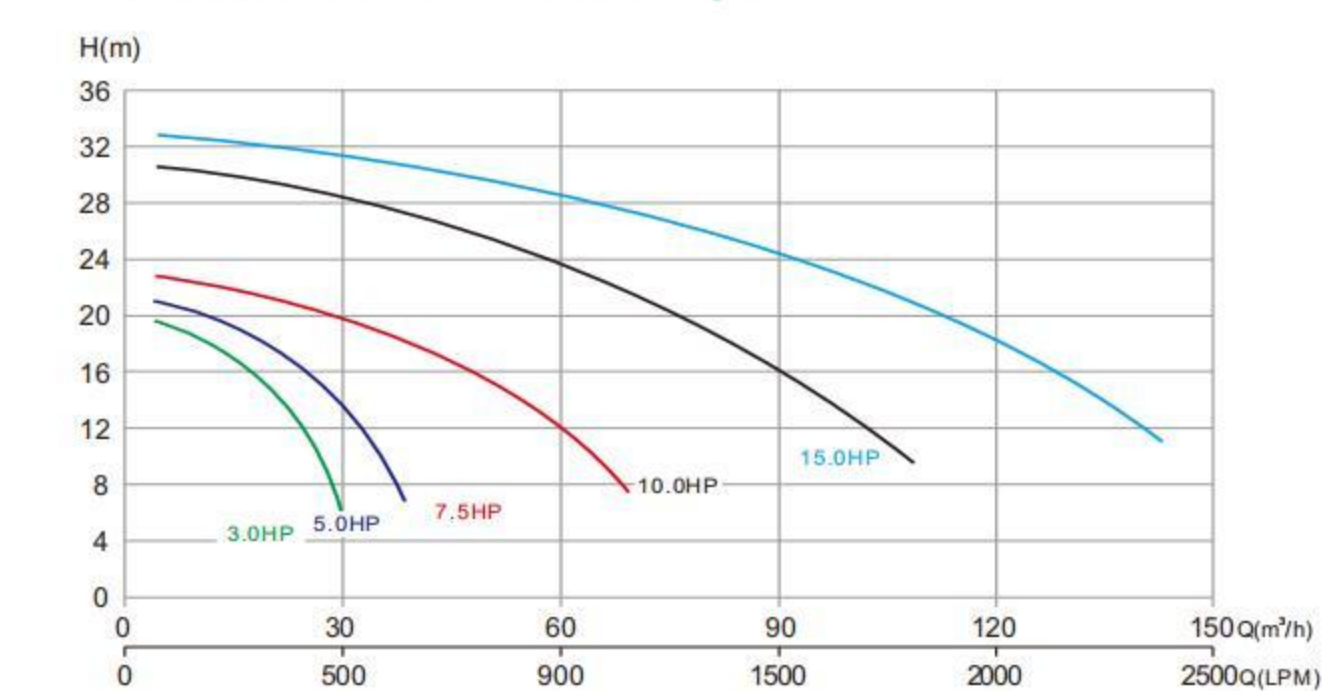
Brass pumps are designed for maximum performance and economy in swimming filtration system. Besides they are extremely quiet in operation.

Features:

- Durable brass construction.
- High performance motors for maximum flow.
- Self-priming to insure proper filtration.
- Stainless steel mechanical seal.
- Closed impeller for longer motor bearing life.
- Heat-resistant seal.



QH.Curve of The Pump



Model	Horsepower (HP)	Rated Power (kW)	Phase	Voltage (V)	Inlet/Outlet	A Length (mm)	B Width (mm)	C Height (mm)
WL-ATB030	3.0	2.25	3	380	2"/2"	660	200	200
WL-ATB050	5.0	3.8	3	380	3"/2.5"	720	230	400
WL-ATB075	7.5	5.5	3	380	3"/2.5"	720	266	400
WL-ATB100	10.0	7.5	3	380	4"/3"	1060	340	570
WL-ATB150	15.0	11.0	3	380	4"/4"	1090	340	570

AIR BLOWER

Features:

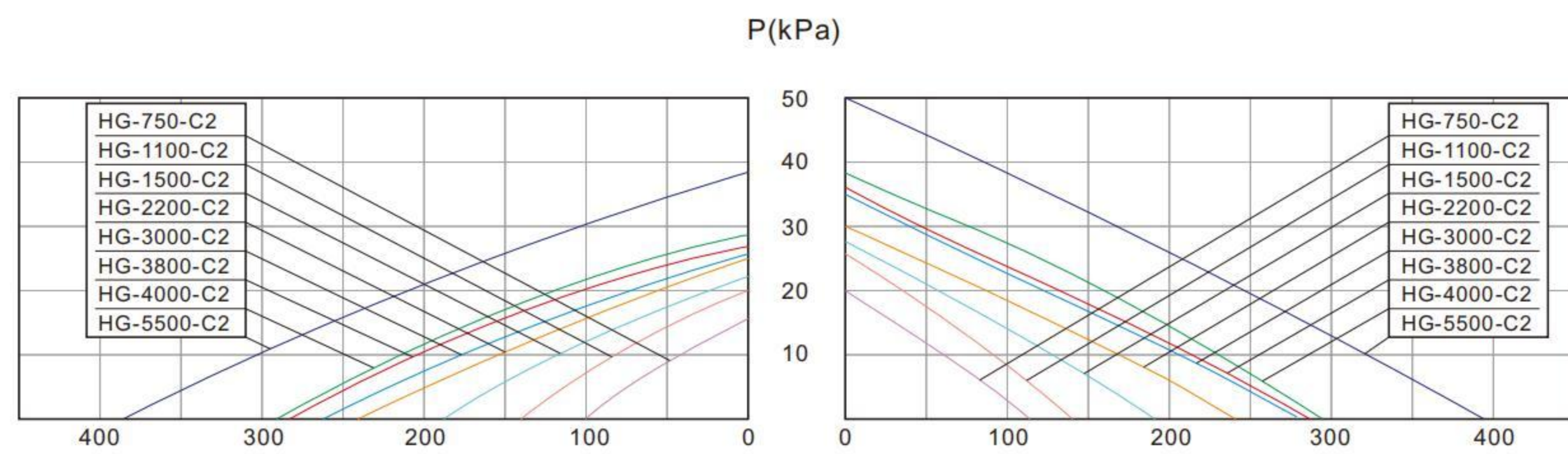
- Centrifugal vanes produce high pressure, great outflow, and low noise.
- A high-quality engine ensures a safe and steady effect.
- Oil free and pure compressed air.
- The machine has a wide range of power and can run a long service life.
- 50Hz or 60Hz are available on request.

Application:

- Swimming Pool/ Spa Pool
- Cooling for Molding
- Ultrasonic Washing and Cleaning Equipment
- Central Vacuum Cleaning System
- Printing Machine
- Sewage Treatment
- Water Treatment
- Agriculture Field
- Fish Farm
- Aquaculture



QH.Curve of The Pump



Model	Voltage (V)	Power (W)	Max.Pressure (Kpa)	Vacuum (Kpa)	Output (m³/h)	Pressure (KPa)	Weight (KGS)	Dimensions L*W*H(mm)
HG-750-C2	220	750	20	-16	110	<12	14	306*288*315
HG-1100-C2	220	1100	26	-20	135	<18	19	329*320*390
HG-1500-C2	380	1500	28	-22	180	<18	25	338*328*357
HG-2200-C2	380	2200	30	-24	240	<20	28	392*362*372
HG-3000-C2	380	3000	35	-25	260	<25	36	425*384*400
HG-3800-C2	380	3800	36	-26	280	<26	38	410*392*404
HG-4000-C2	380	4000	38	-28	280	<28	45	415*392*404
HG-5500-C2	380	5500	50	-35	380	<28	58	486*418*453

